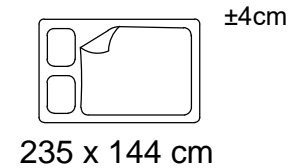
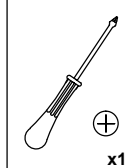
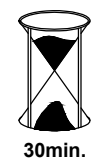
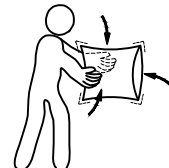
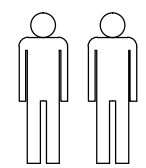
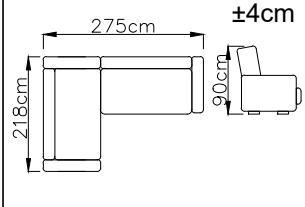
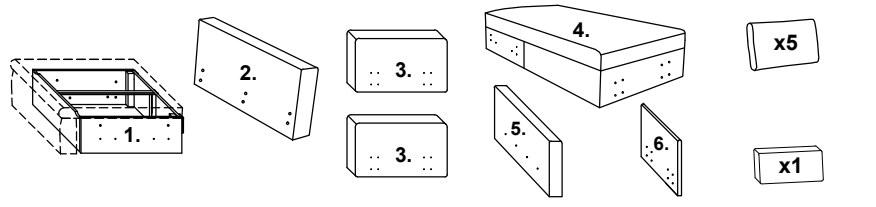




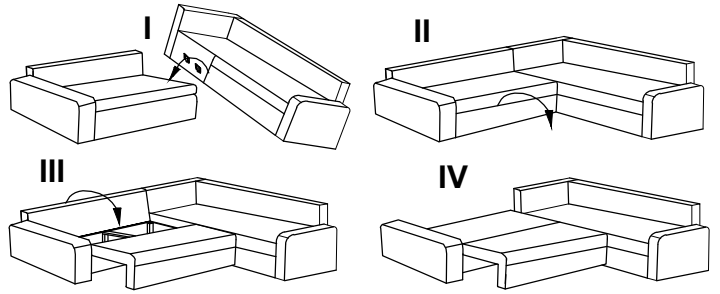
2024-07-01



# SPARK corner



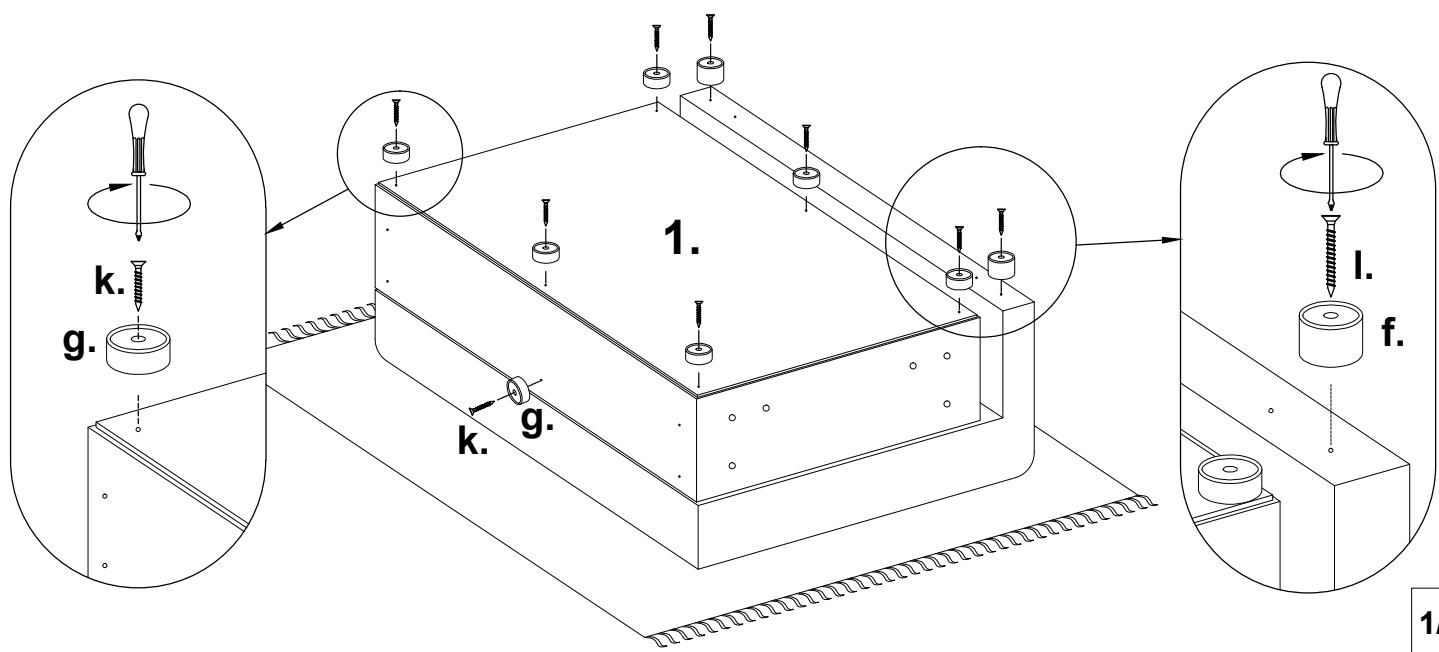
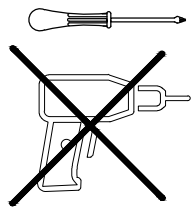
<b>a. x 4</b>  MME00202	<b>b. x 6</b>  MME00197	<b>c. x 6</b>  MME00197	<b>d. x 2</b>  MME00015	<b>e. x 2</b>  MME00101
<b>f. x 12</b> Ø50x50  MON00598	<b>g. x 7</b> Ø50x15  MON00341	<b>h. x 8</b> M6x25  MME00206	<b>i. x 24</b> M6x20  MME00189	<b>j. x 4</b> M6x60  MME00209
<b>k. x 15</b> 4,5x40  MME00076	<b>l. x 8</b> 5x60  MME00287	<b>m. x 4</b> Ø8  MME00017	<b>n. x 1</b> "4"  MIV00062	<b>o. x 4</b> M8x55  MME00209
				<b>p. x 1</b> "5"  MIV00006
				<b>r. x 4</b> Ø35x7  MOI00085



**I**

**R**

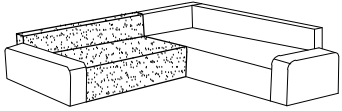
<b>f. x 2</b>		Ø50x50
<b>g. x 7</b>		Ø50x15
<b>k. x 7</b>		4,5x40
<b>l. x 2</b>		5x60



2024-07-01

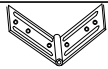
# SPARK corner

II



R

d. x 2

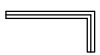


h. x 4

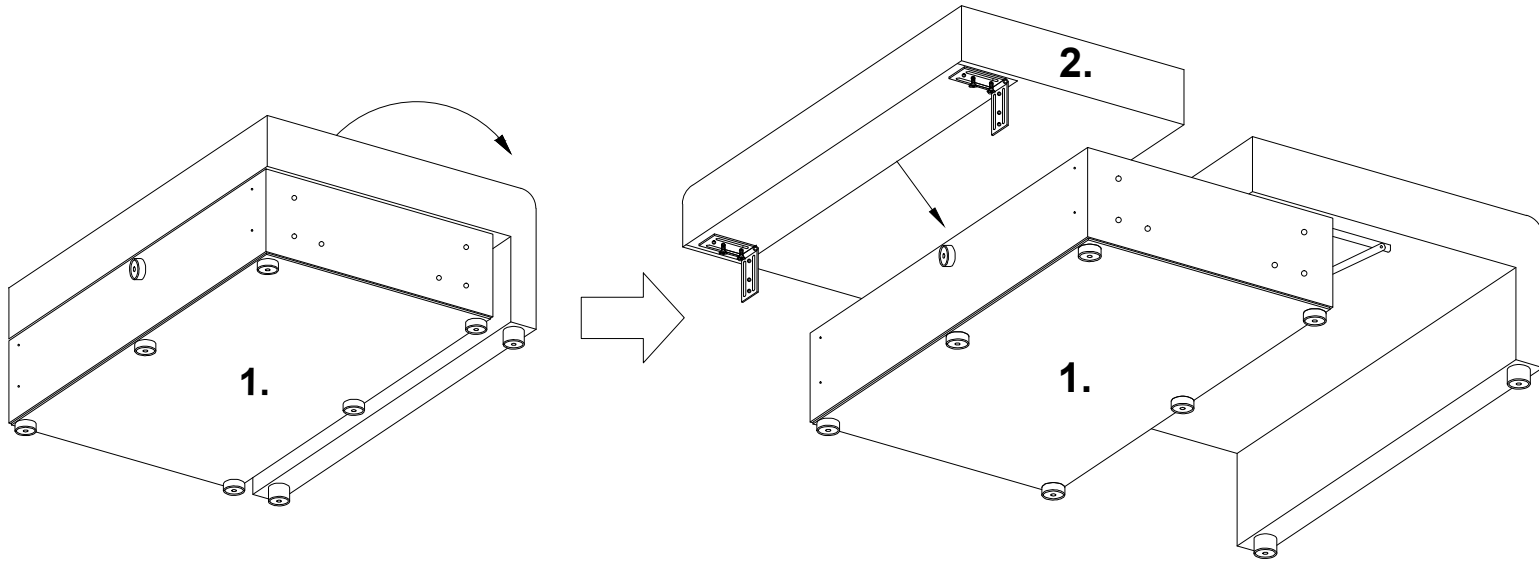
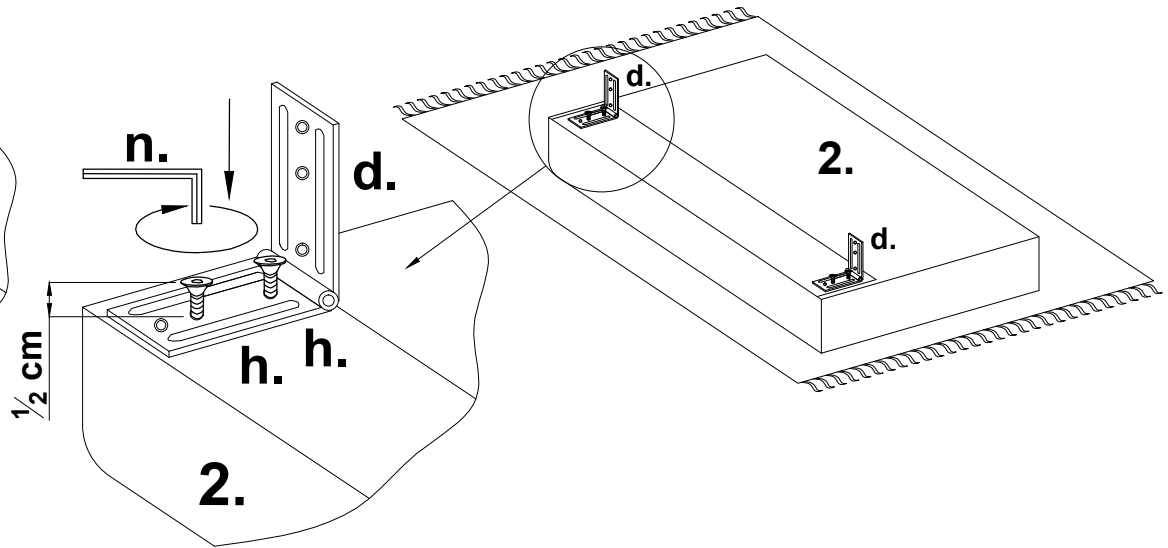
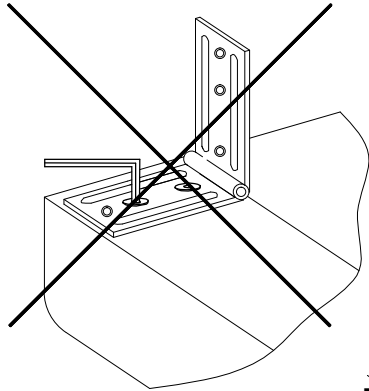


M6x25

n. x 1



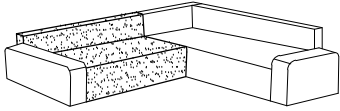
"4"



2024-07-01

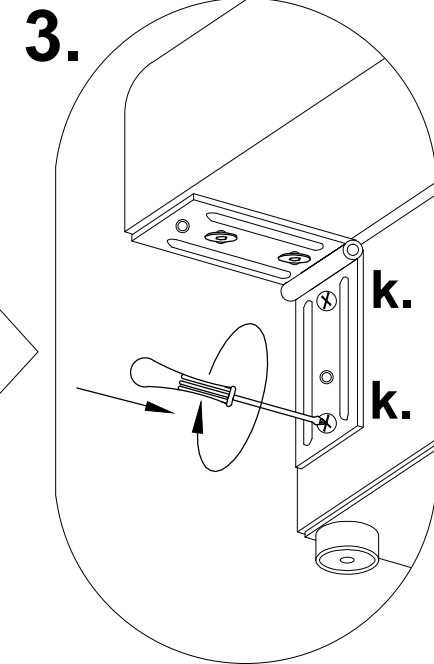
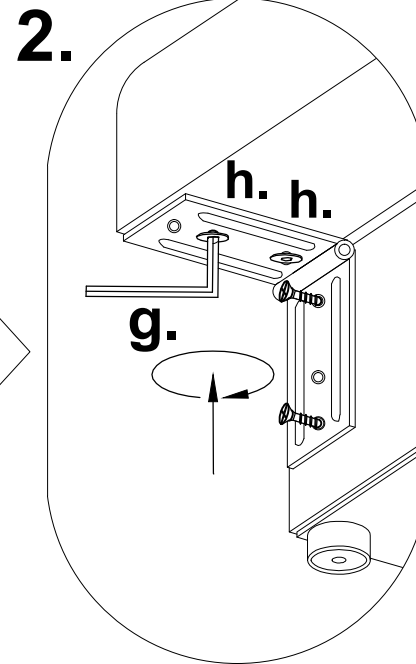
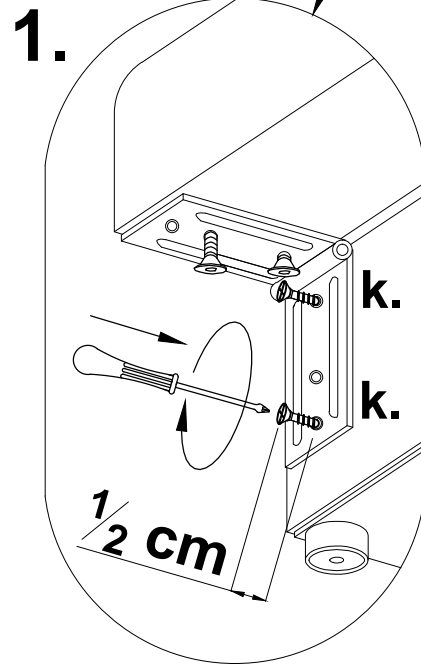
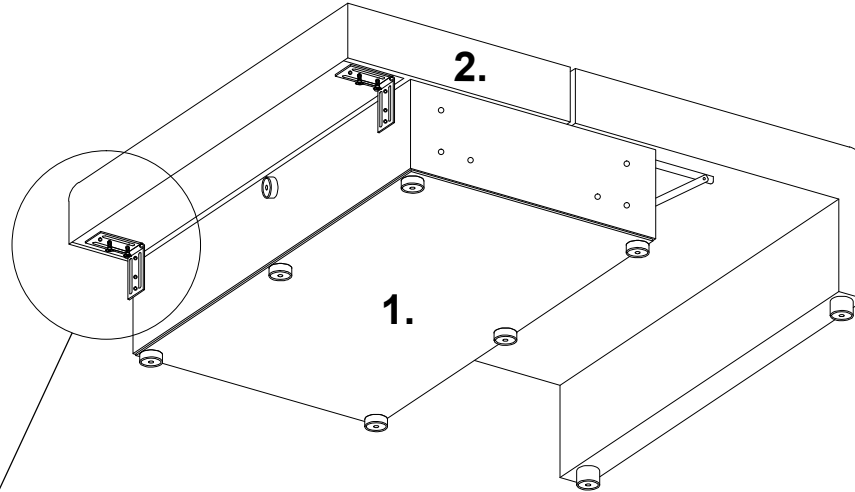
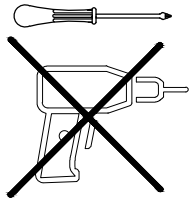
# SPARK corner

III



R

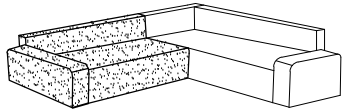
k. x 4  4,5x40



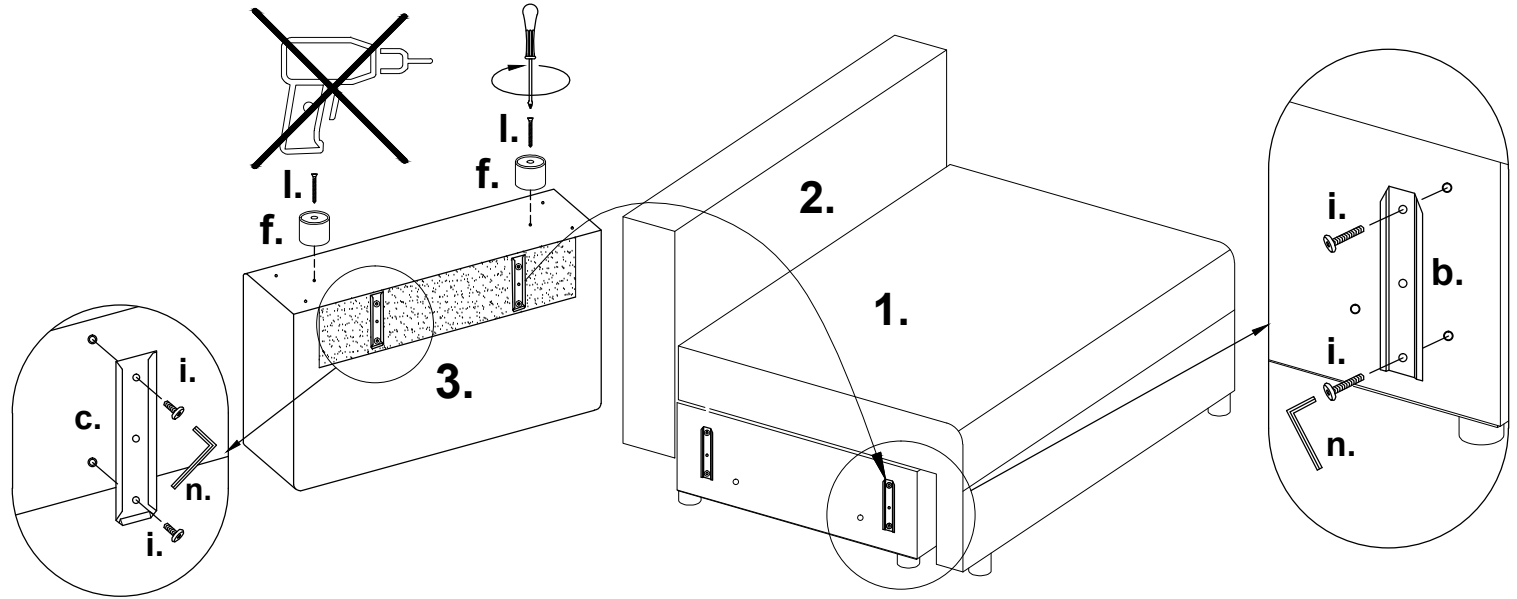
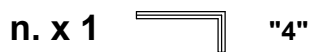
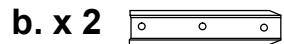
2024-07-01

# SPARK corner

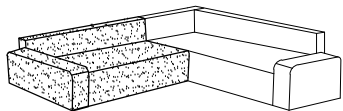
IV



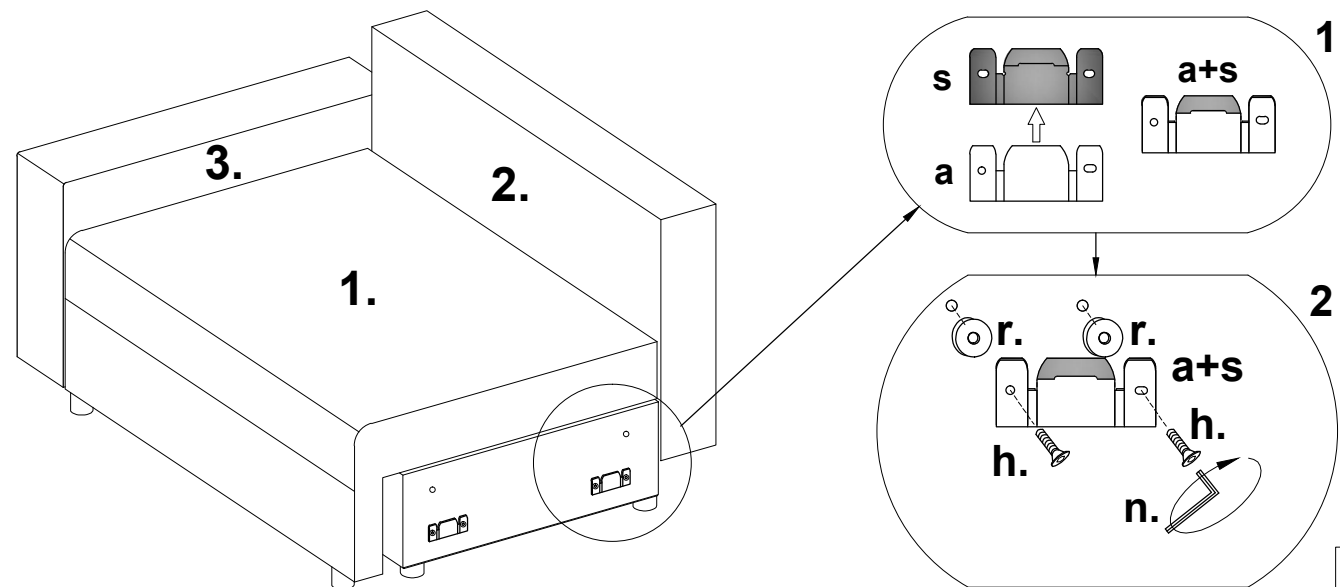
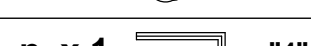
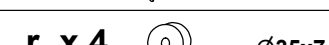
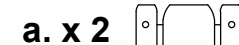
R



V



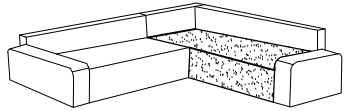
R



2024-07-01

# SPARK corner

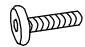
VI




R

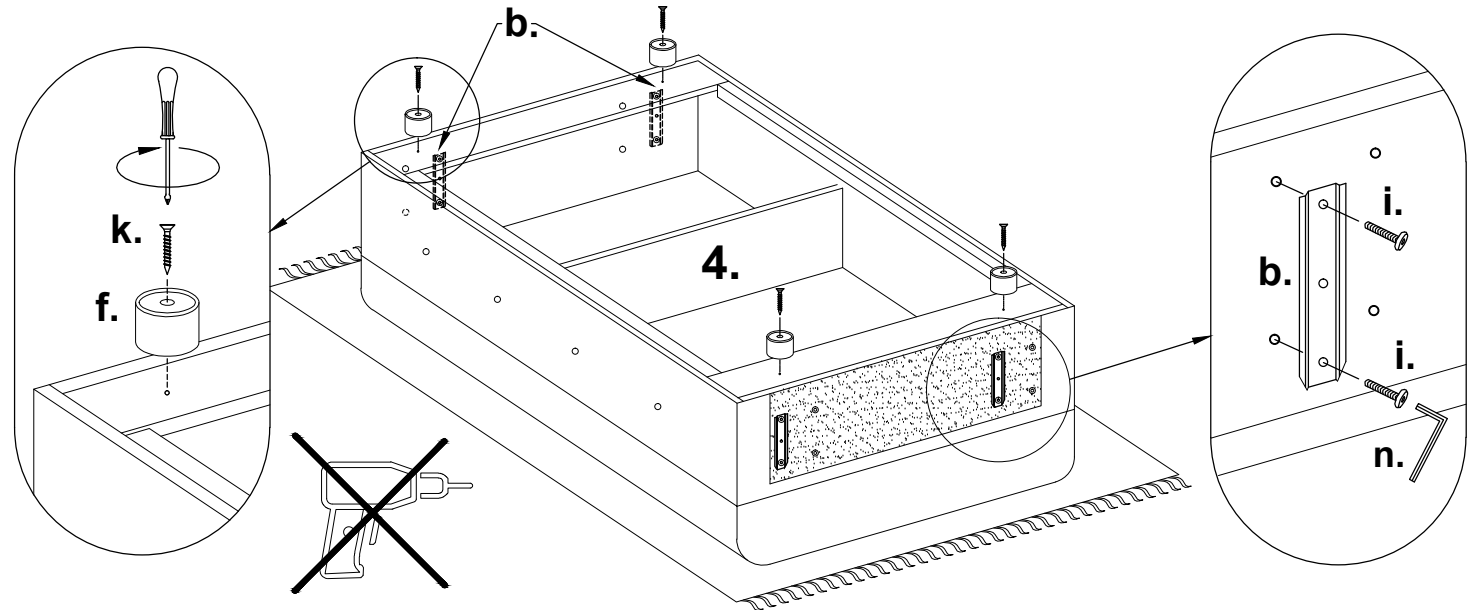
b. x 4 

f. x 4  Ø50x50

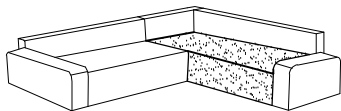
i. x 8  M6x20

k. x 4  4,5x40

n. x 1  "4"

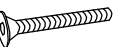



VII

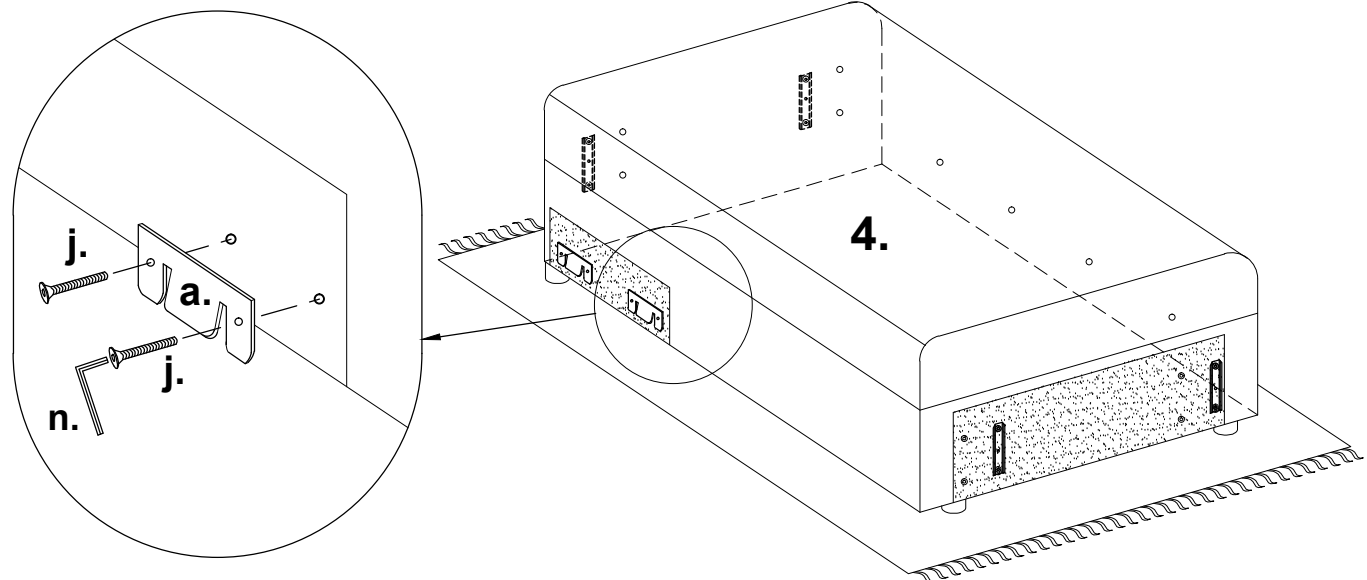


R

a. x 2 

j. x 4  M6x60

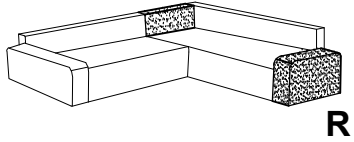
n. x 1  "4"



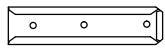
2024-07-01

# SPARK corner

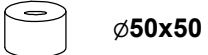
VIII



c. x 4



f. x 2  $\varnothing 50 \times 50$



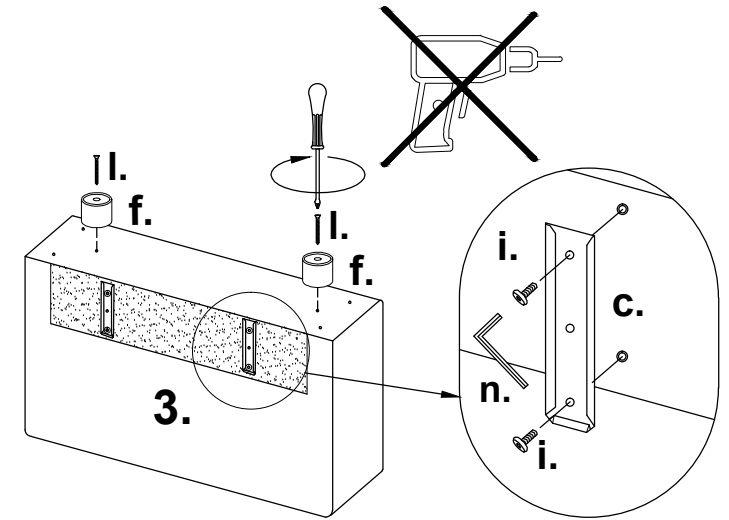
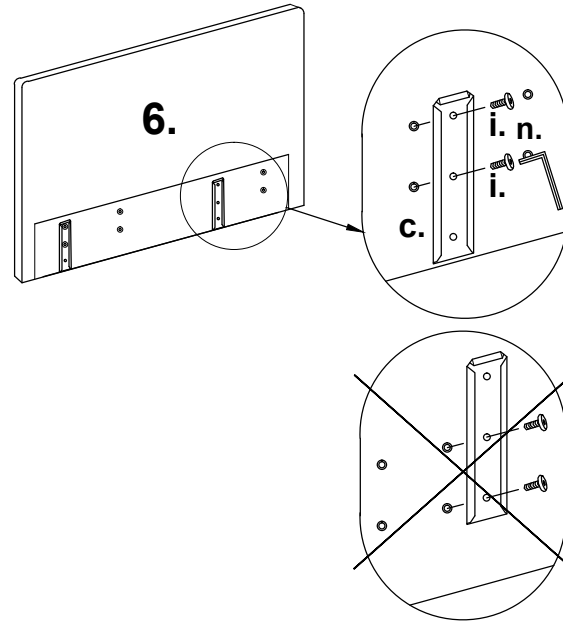
l. x 2 5x60



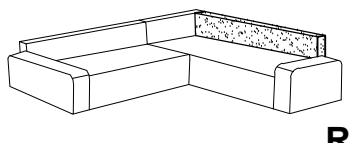
i. x 8 M6x20



n. x 1 "4"



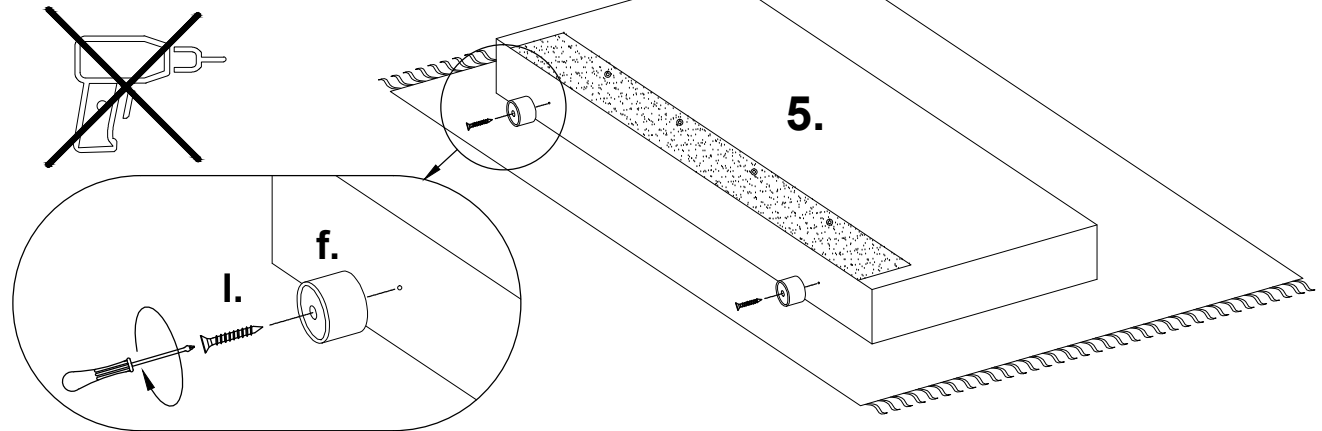
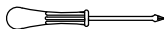
IX



f. x 2  $\varnothing 50 \times 50$



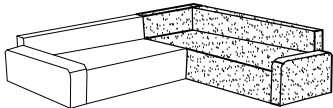
l. x 2 5x60



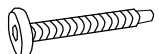
2024-07-01

# SPARK corner

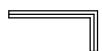
X

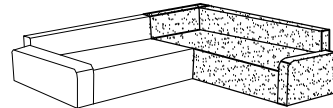
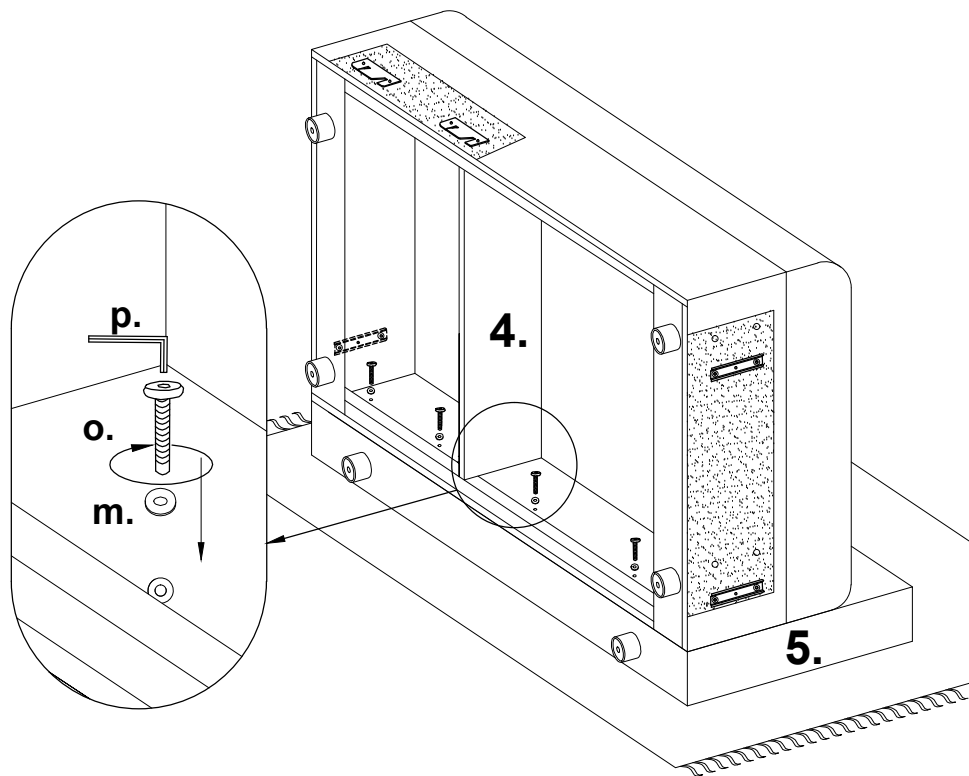


R

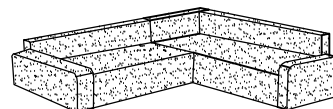
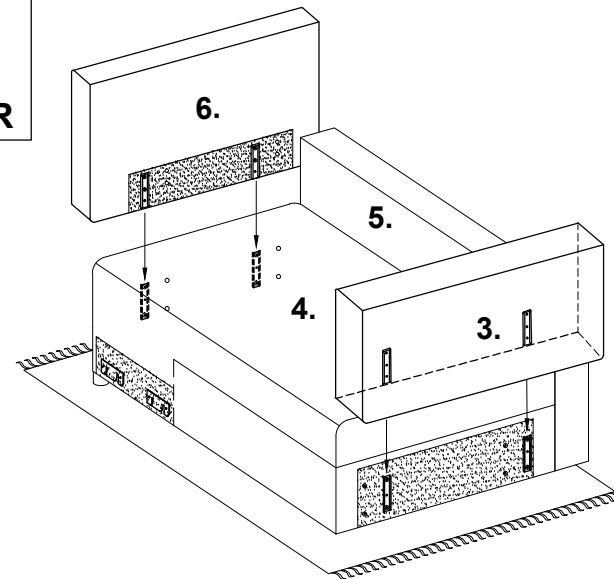
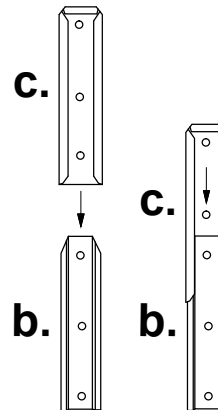
o. x4  M8x55

m. x4  Ø8

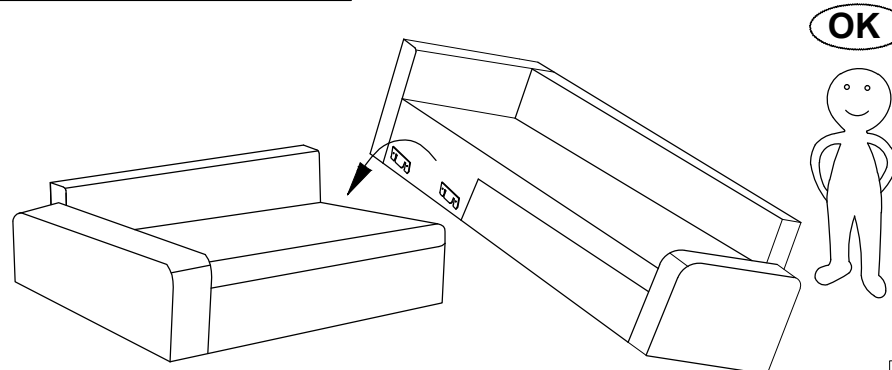
p. x1  "5"



R



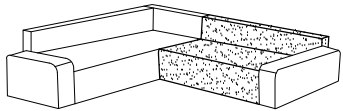
R



2024-07-01

# SPARK corner

I



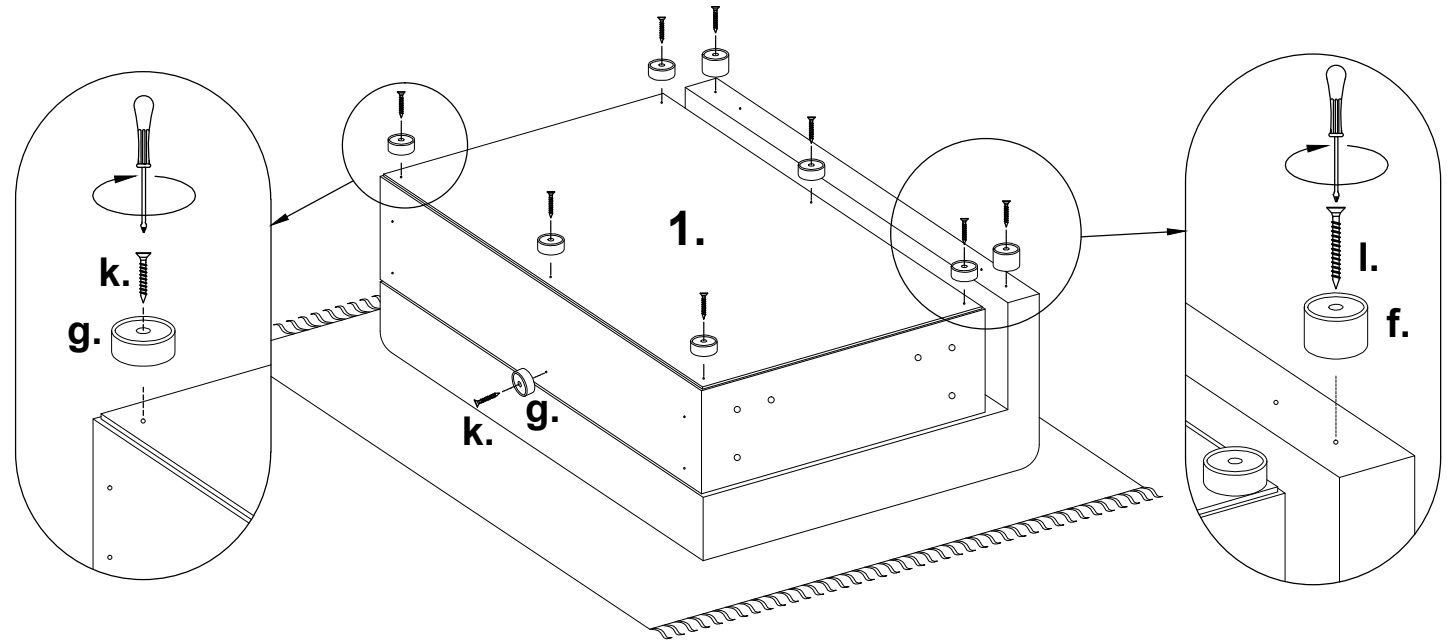
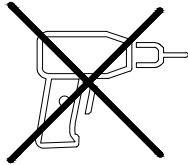
L

f. x 2   $\varnothing 50 \times 50$

g. x 7   $\varnothing 50 \times 15$

k. x 7  4,5x40

l. x 2  5x60

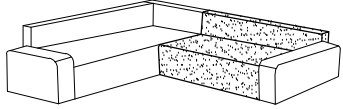




2024-07-01

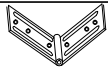
# SPARK corner

II



L

d. x 2



h. x 4

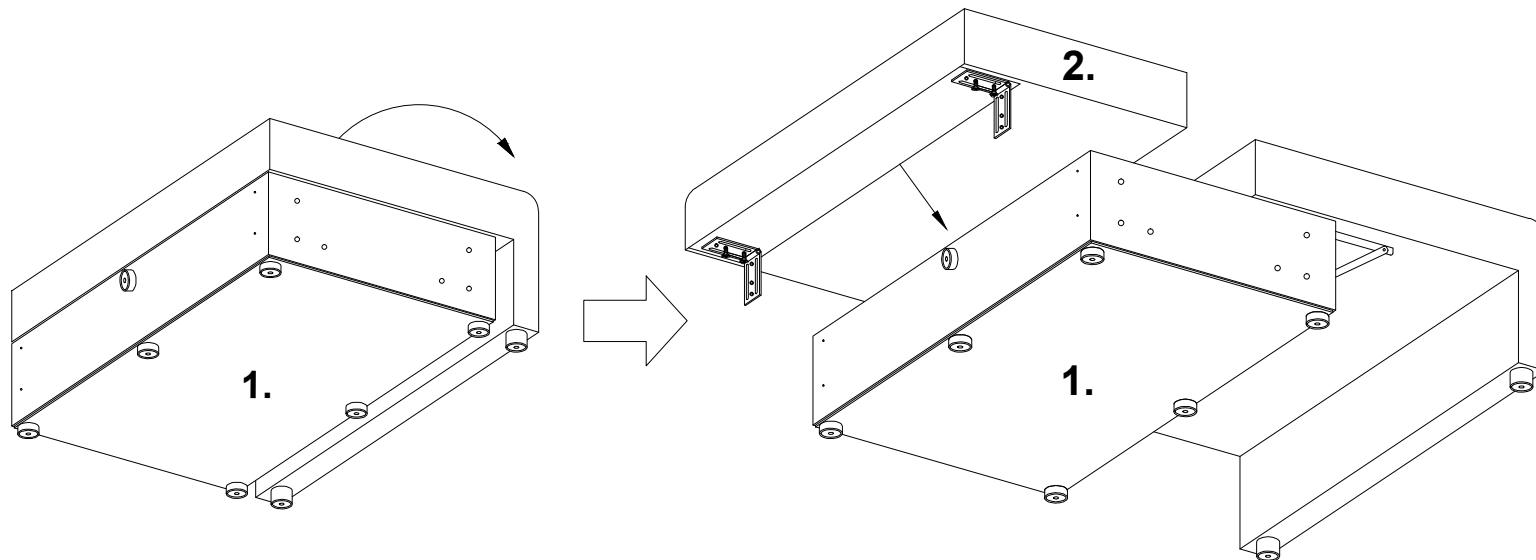
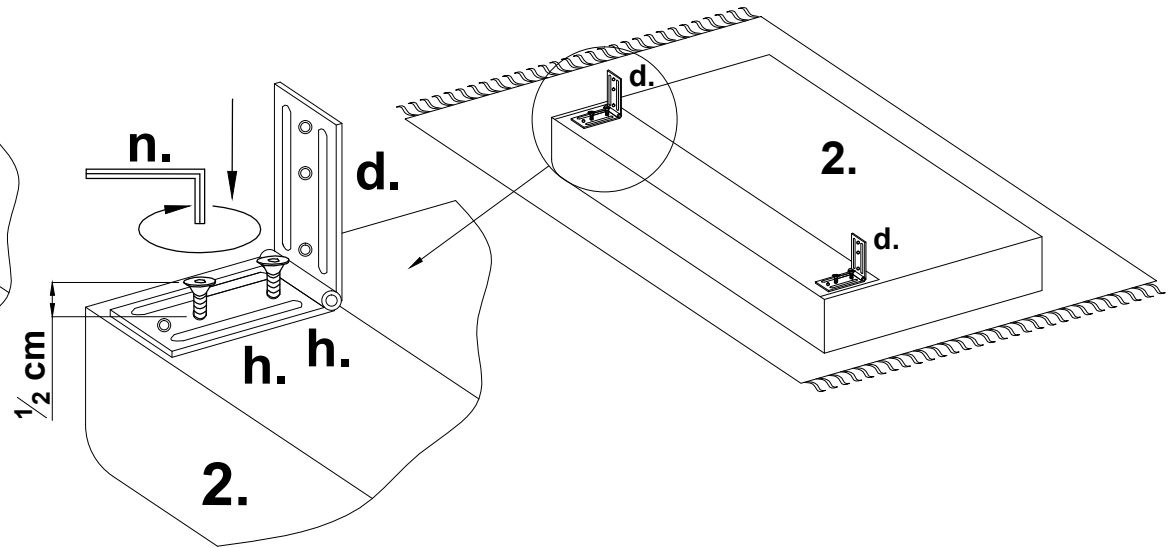
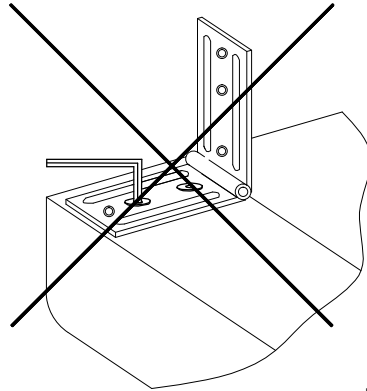


M6x25

n. x 1



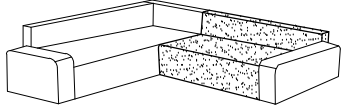
"4"



2024-07-01

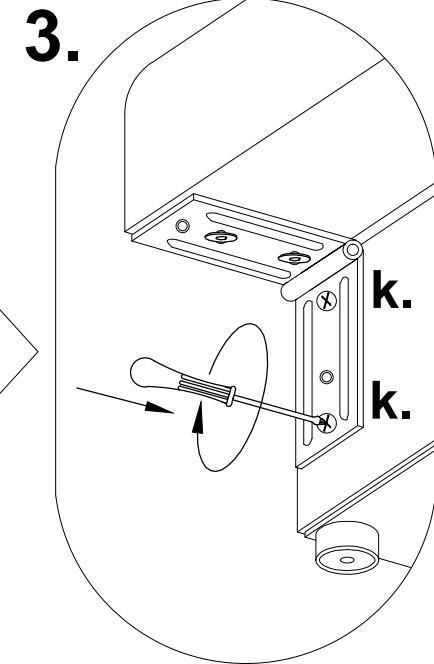
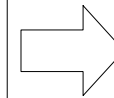
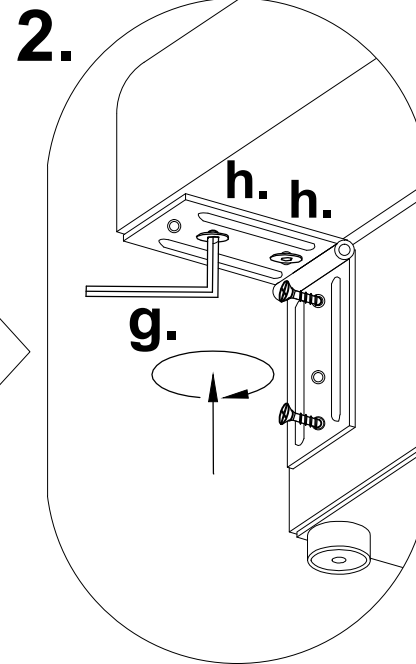
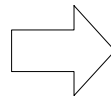
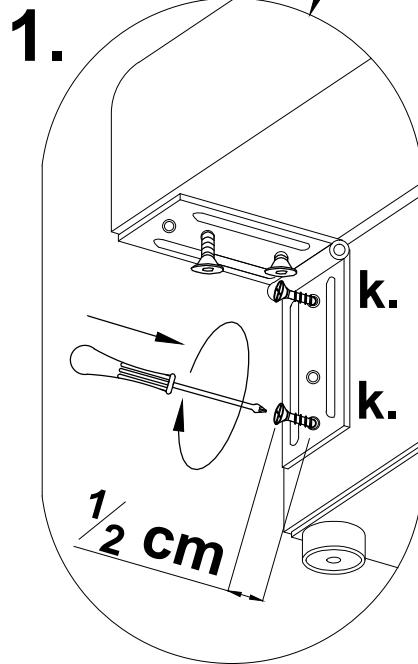
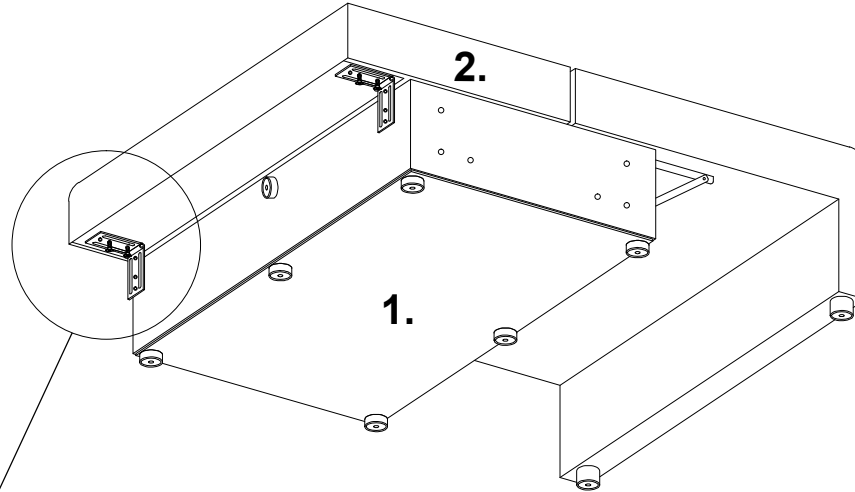
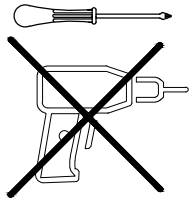
# SPARK corner

III



L

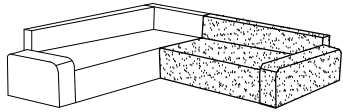
k. x 4  4,5x40



2024-07-01

# SPARK corner

**IV**



**L**

**b. x 2**

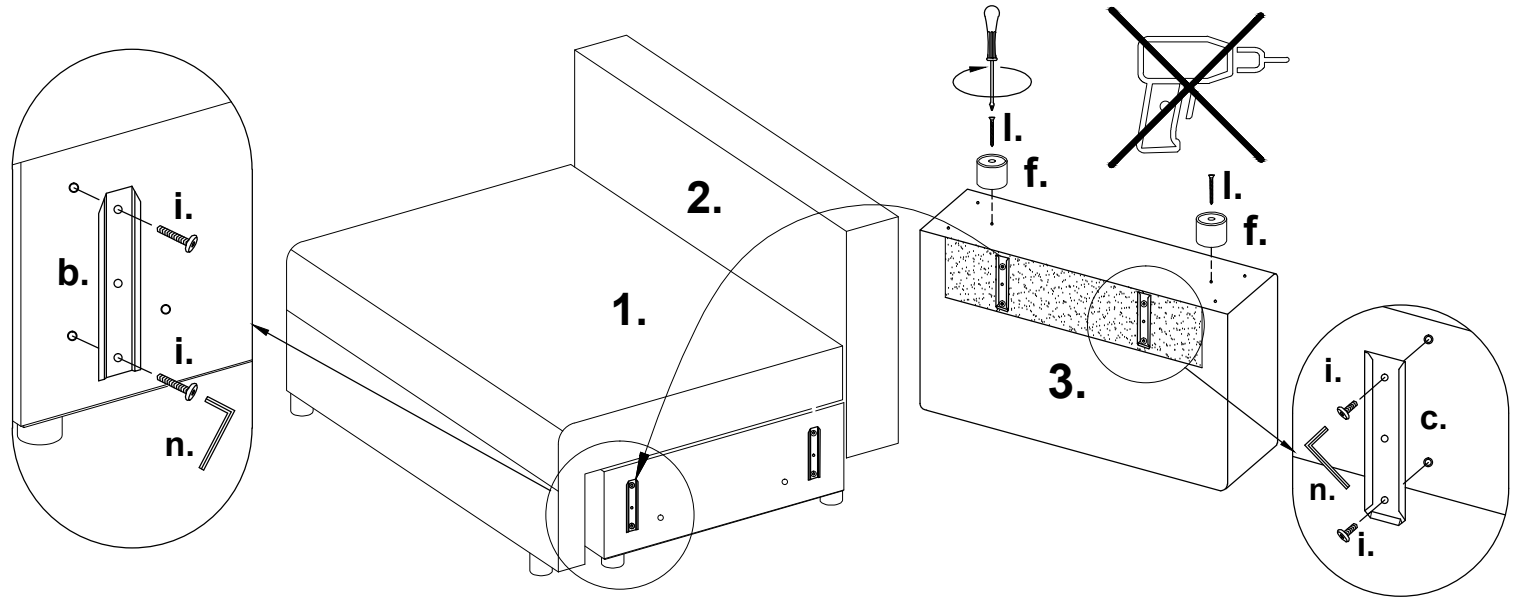
**c. x 2**

**f. x 2**  $\varnothing 50 \times 50$

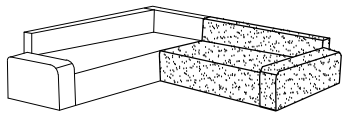
**i. x 8** **M6x20**

**l. x 2** **5x60**

**n. x 1** **"4"**



**V**



**L**

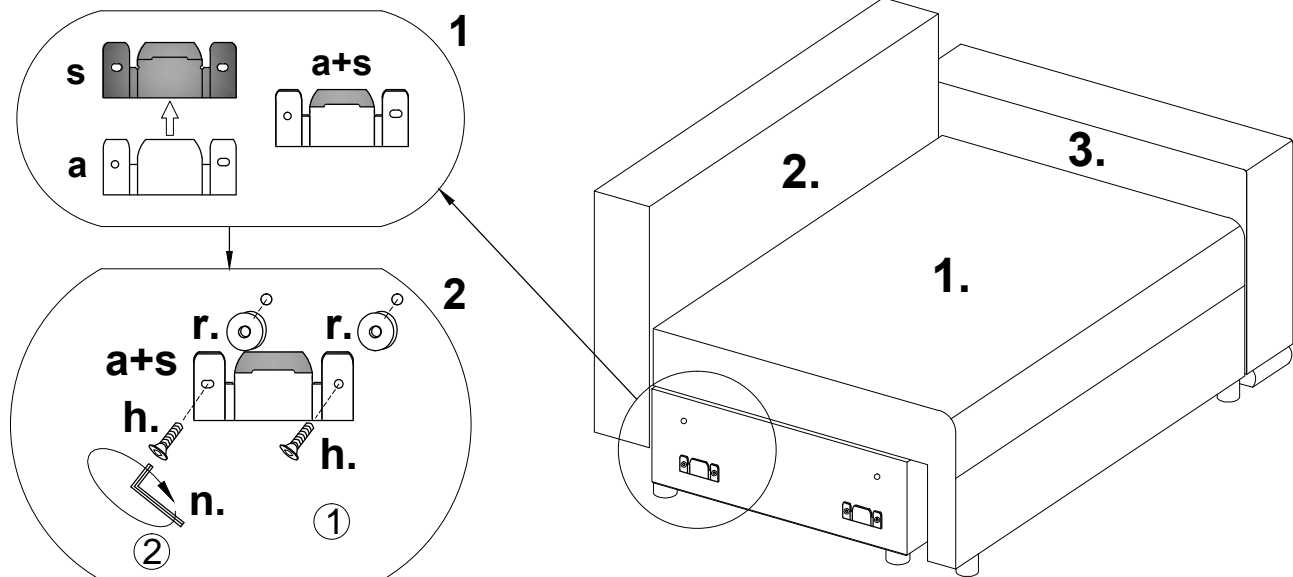
**a. x 2**

**s. x 2**

**h. x 4** **M6x25**

**r. x 4**  $\varnothing 35 \times 7$

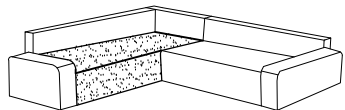
**n. x 1** **"4"**



2024-07-01

# SPARK corner

VI




L

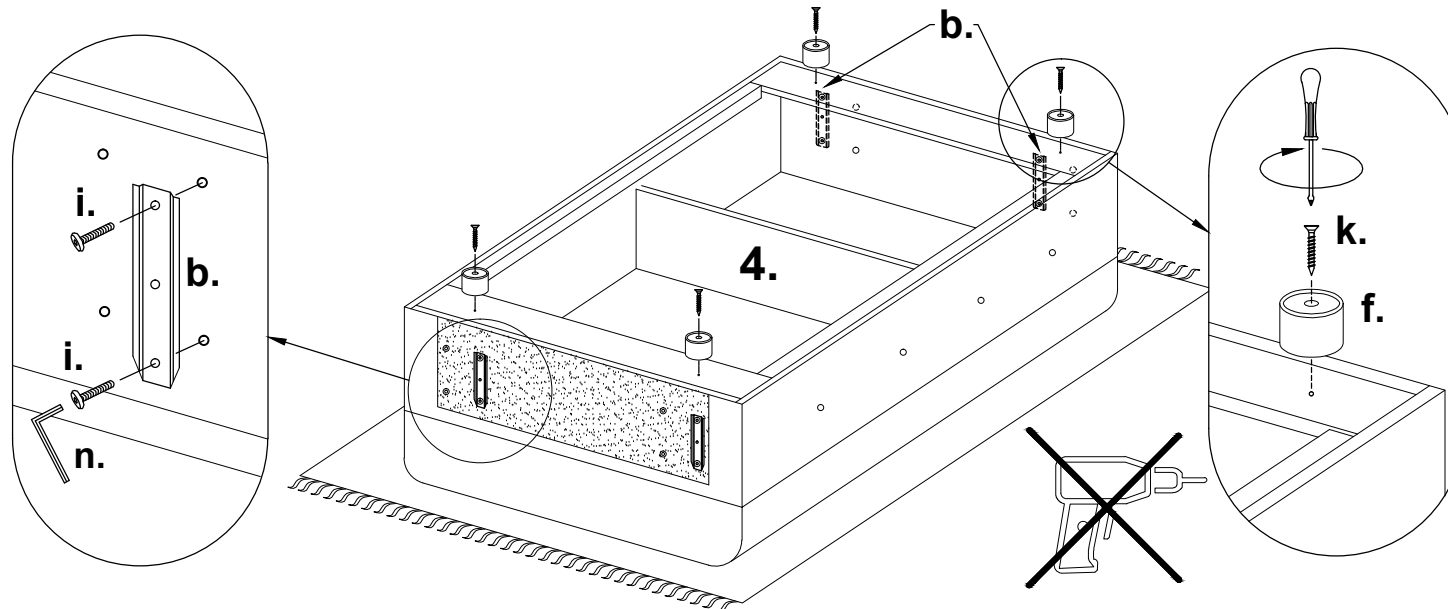
b. x 4 

f. x 4  Ø50x50

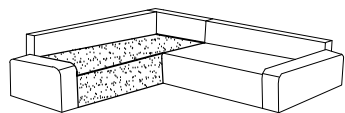
i. x 8  M6x20

k. x 4  4,5x40

n. x 1  "4"




VII

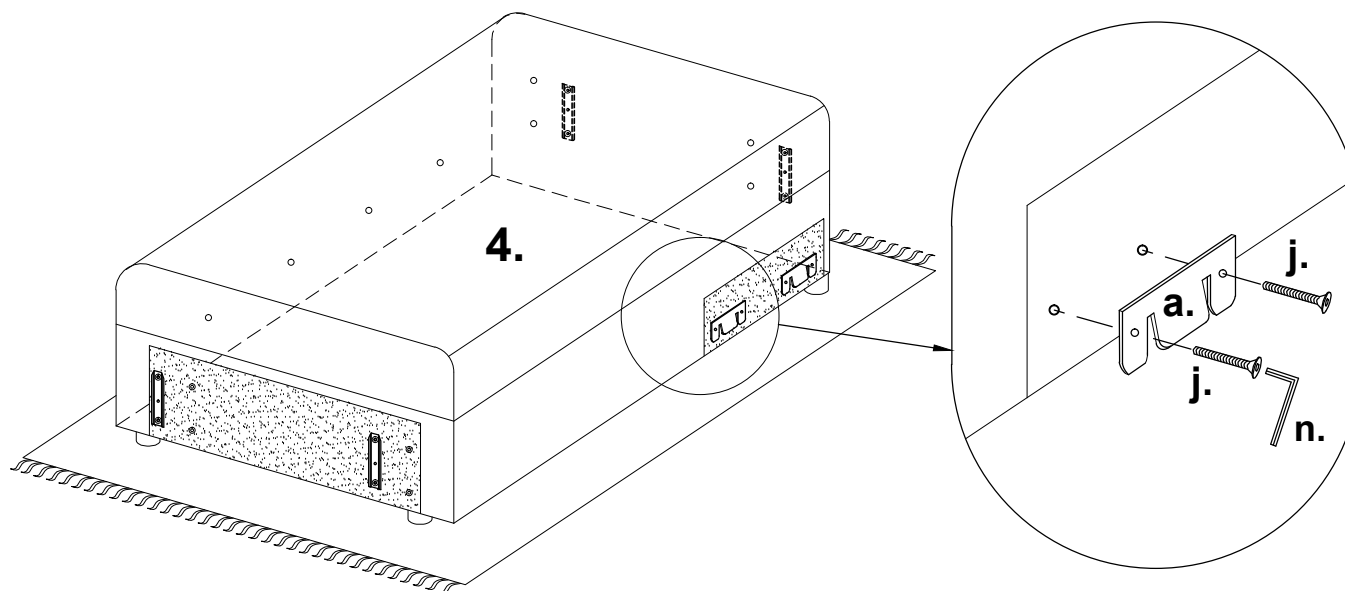


L

a. x 2 

j. x 4  M6x60

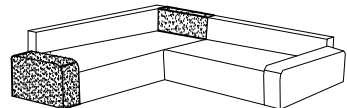
n. x 1  "4"



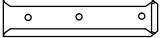
2024-07-01

# SPARK corner

VIII

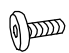


L

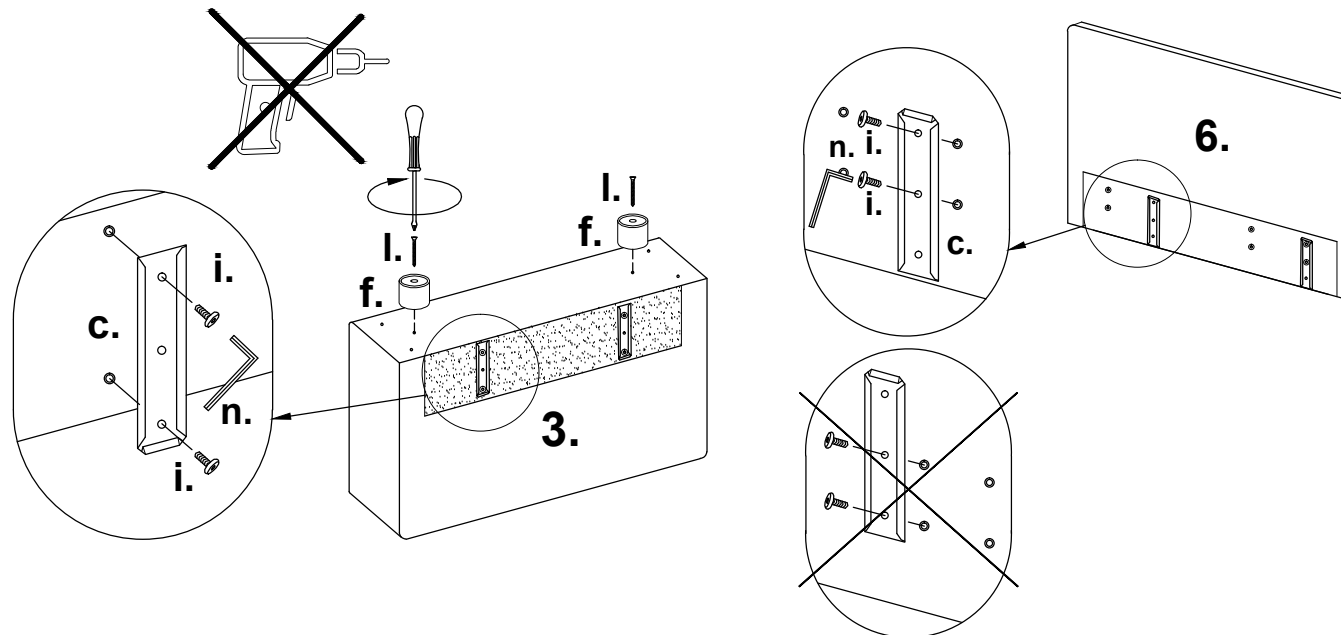
c. x 4 

f. x 2  Ø50x50

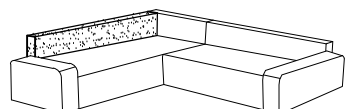
l. x 2  5x60

i. x 8  M6x20

n. x 1  "4"



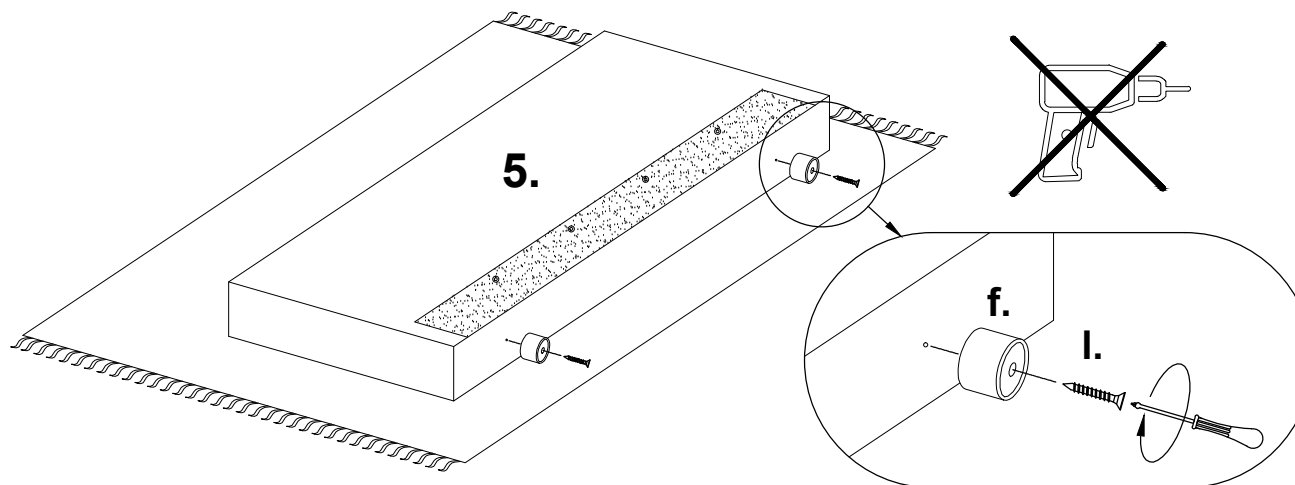
IX



L

f. x 2  Ø50x50

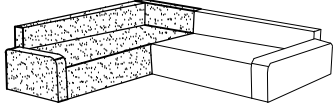
l. x 2  5x60




2024-07-01

# SPARK corner


**X**

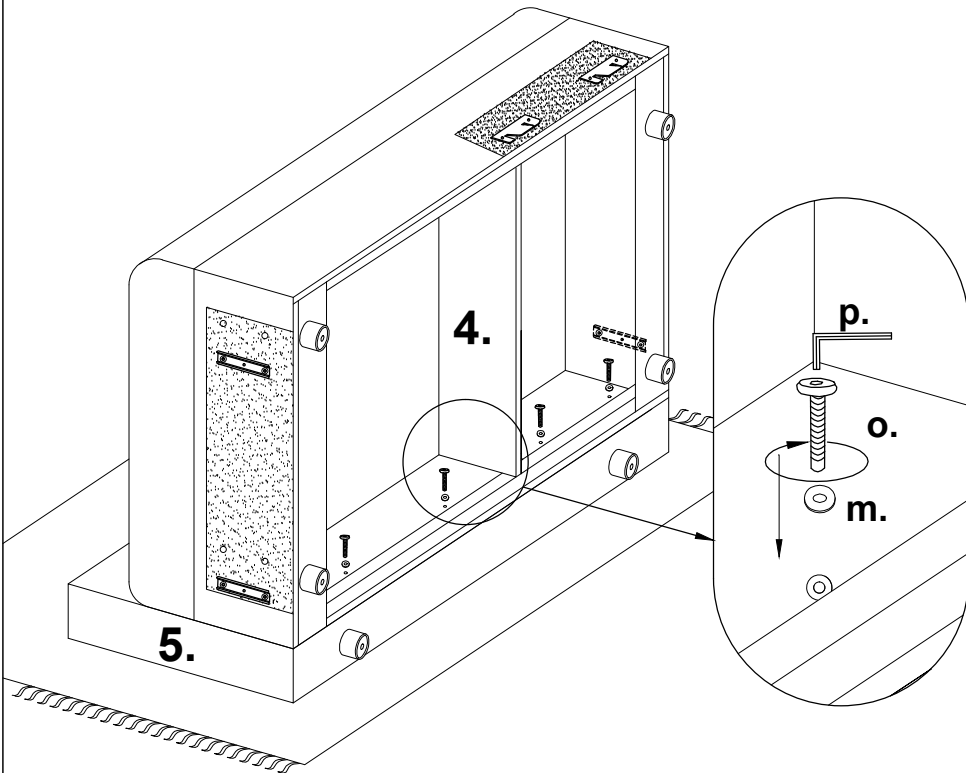


**L**

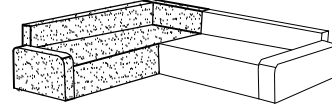
**o. x4**  **M8x55**

**m. x4**  **Ø8**

**p. x1**  **"5"**



**XI**



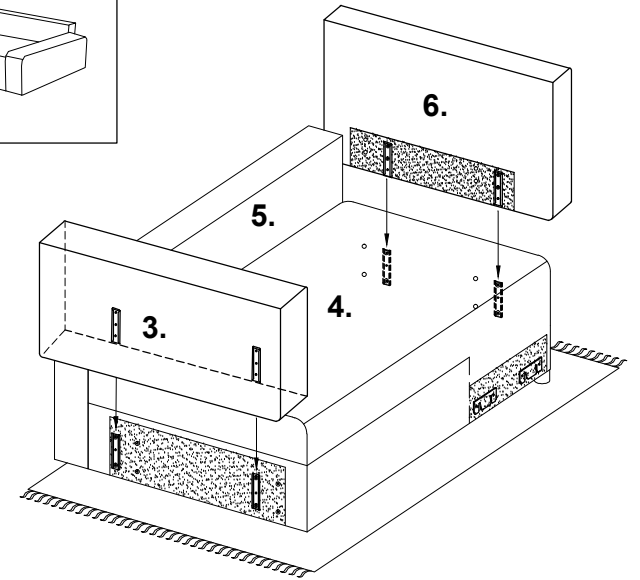
**L**

**c.**

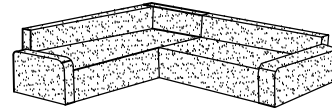
**b.**

**c.**

**b.**

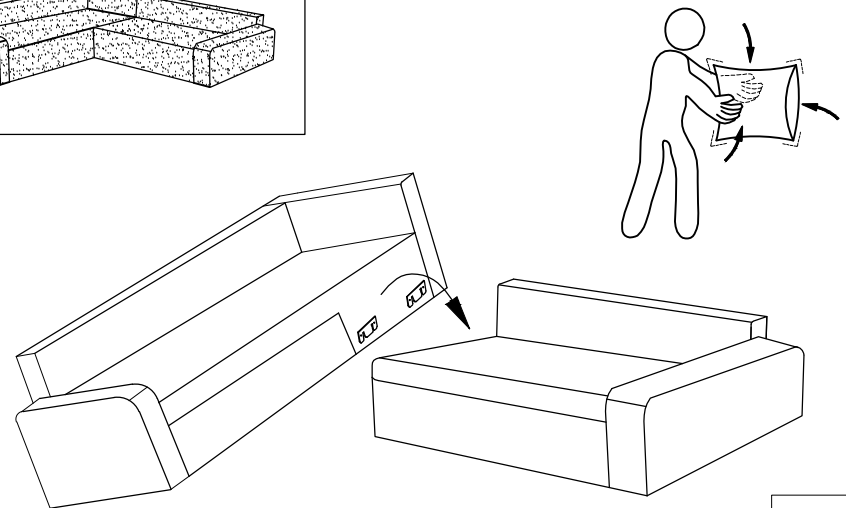


**XII**

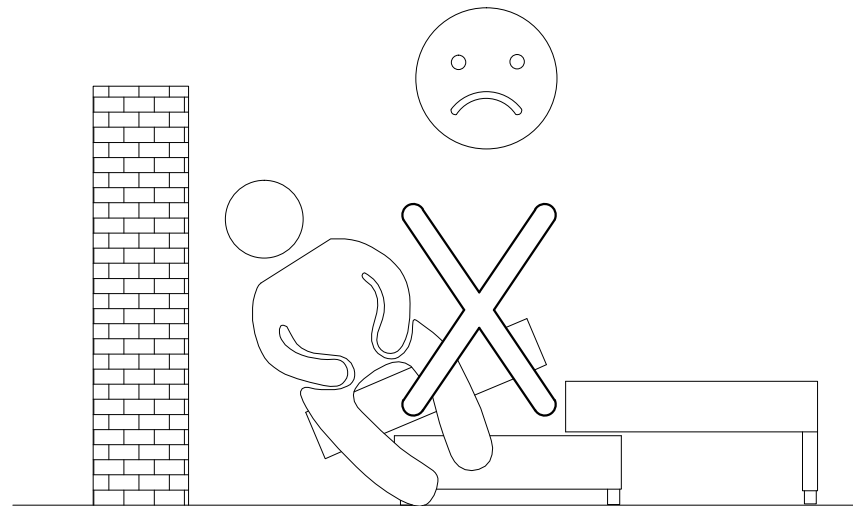
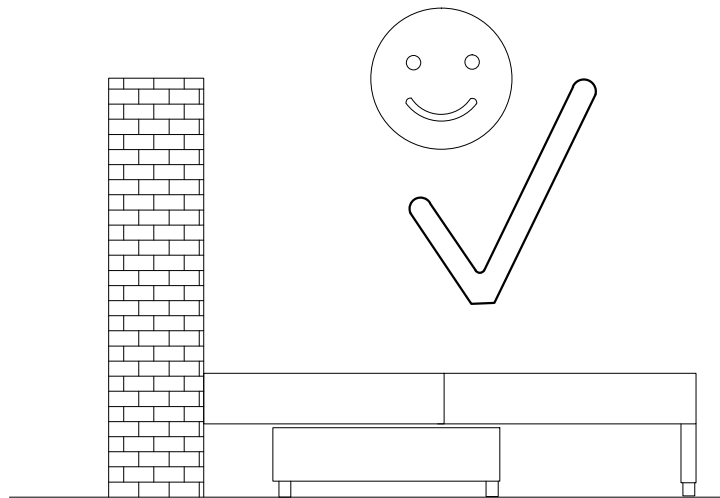
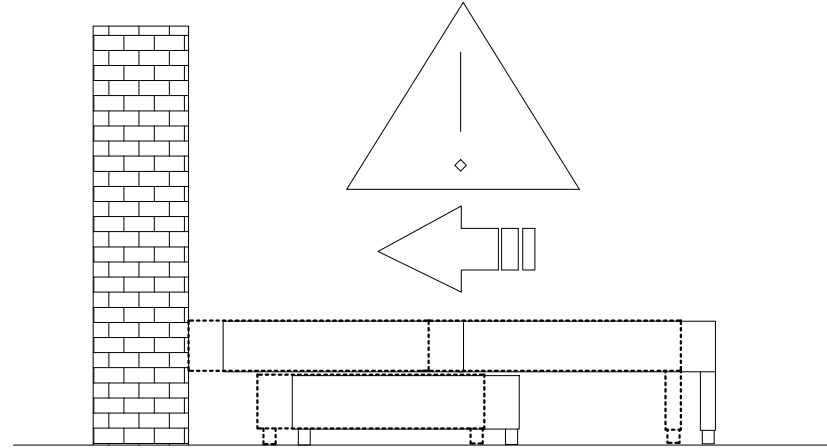
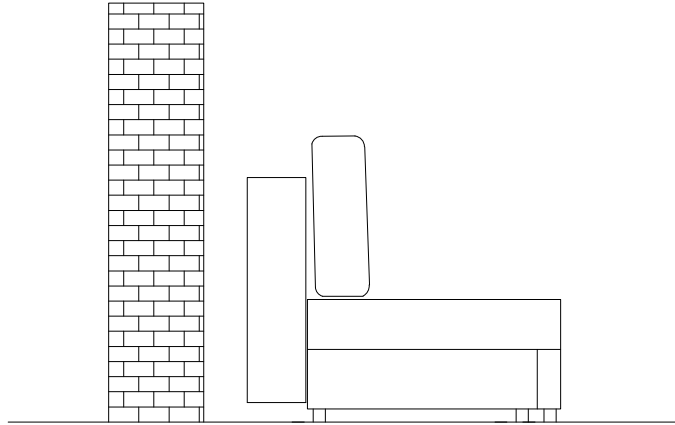


**L**

**OK**



2024-07-01



0 10 20 30 40 50 60 70 80 90 100 110 120 130 140 150 160 170 180 190 200 mm

